

# ZENVEIL

Station Screens



THE  
ACOUSTICS  
COMPANY

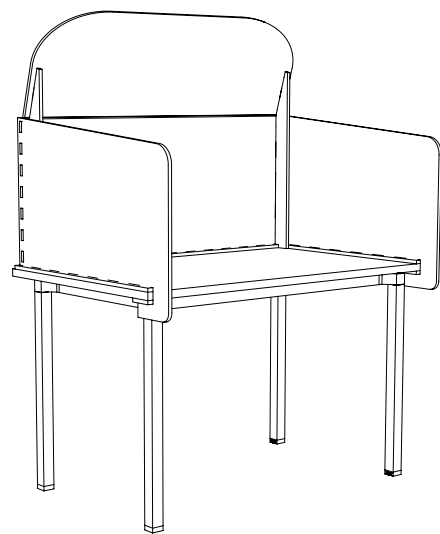
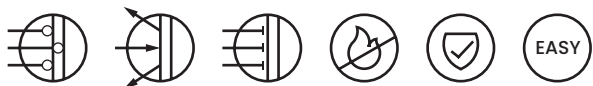


## PRODUCT INFO

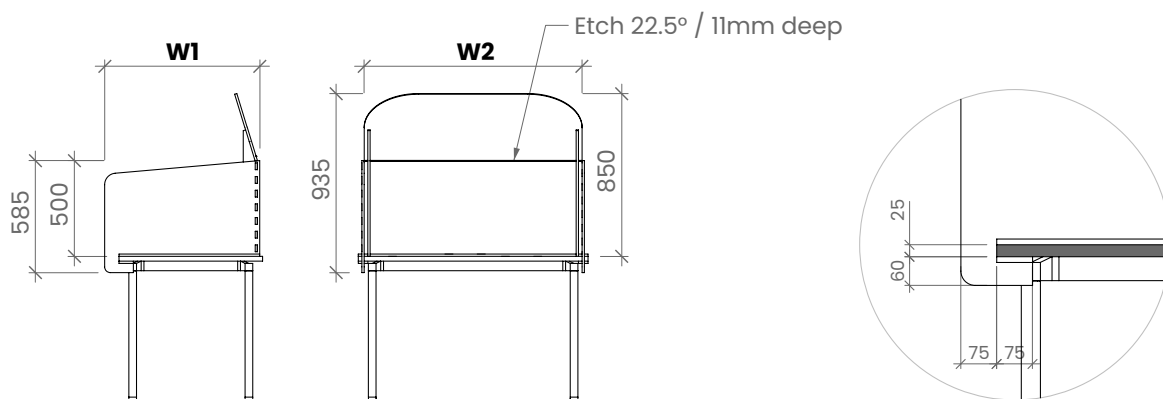
ZenVeil (Clamped) is a station screen that creates a paradigm shift in desk privacy and transforms every desk into a haven of undisturbed creativity. It is like an elegant hood that effortlessly creates an immersive acoustic shield, securing you in a sanctuary of tranquility. It uses a self clamp design that easily mount itself to the table.

## FEATURES

- Station screen made from 12mm recycled PET Panel.
- Available in our collection of 30 vibrant colours.
- Durable, flexible, non-combustible, and easy to customise onsite.
- Great absorptive properties to reduce reverberation.
- Effective sound barrier for increase focus and productivity.
- Easy to install with a desk clamp system.

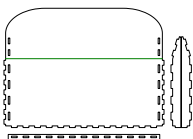


## SIZES

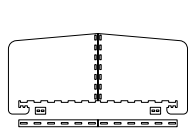


### Parts for Single Desk Set

#### Front Panel Set

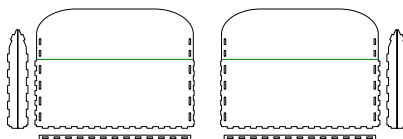


#### Side Panel Set

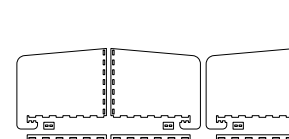


### Parts for Bench Desk Set

#### Front Panel Set



#### Side Panel Set



### PANEL (W1)

650mm

810mm

### PANEL (W2)

1162mm

1362mm

1562mm

## PRODUCT

## ARTICLE

## DIMENSION

## THICKNESS

ZenVeil (C)

05WPSSS-ZVL001

Modular dimension as shown

12mm

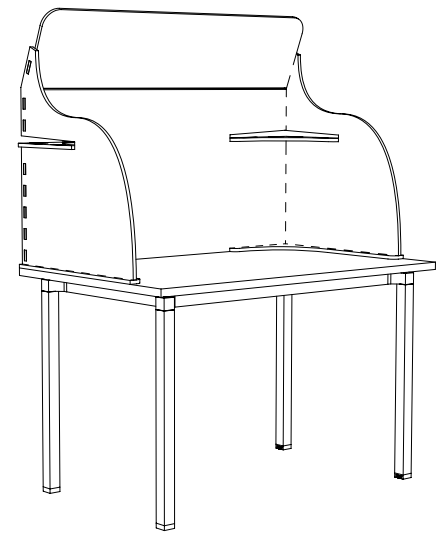


## PRODUCT INFO

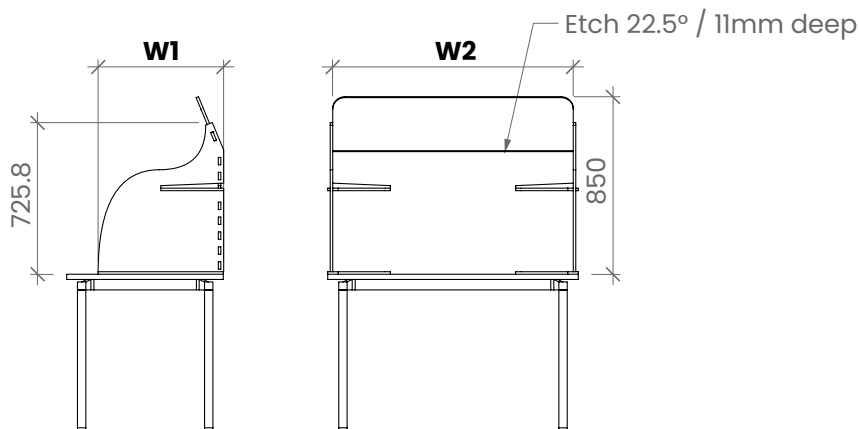
ZenVeil (Free-standing) is a station screen that creates a paradigm shift in desk privacy and transforms every desk into a haven of undisturbed creativity. It is like an elegant hood that effortlessly creates an immersive acoustic shield, securing you in a sanctuary of tranquility. It uses a free-standing design that makes it easy and ready to install product.

## FEATURES

- Station screen made from 12mm recycled PET Panel.
- Available in our collection of 30 vibrant colours.
- Durable, flexible, non-combustible, and easy to customise onsite.
- Great absorptive properties to reduce reverberation.
- Effective sound barrier for increase focus and productivity.
- Easy to install with its free-standing design.

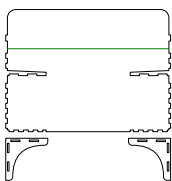


## SIZES

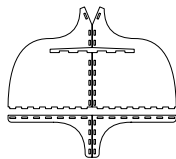


### Parts for Single Desk Set

#### Front Panel Set

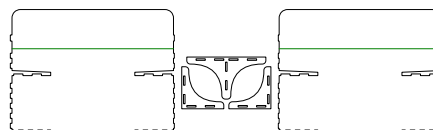


#### Side Panel Set

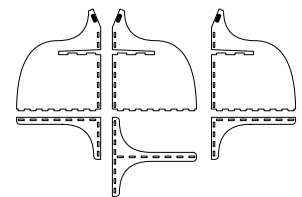


### Parts for Bench Desk Set

#### Front Panel Set



#### Side Panel Set



### PANEL (W1)

600mm  
735mm

### PANEL (W2)

1176mm  
1376mm  
1576mm

PRODUCT	ARTICLE	DIMENSION	THICKNESS
ZenVeil (FS)	05WPSSS-ZVL002	Modular dimension as shown	12mm

# MATERIAL INFORMATION

<b>COMPOSITION:</b>	75% Recycled PET Fibre   25% Virgin Fibre
<b>FIRE RATING:</b>	12mm EN13501-1:2007+A1:2009 B - S1, D0
<b>DENSITY:</b>	2.4kg/m <sup>2</sup> (12mm)
<b>ACOUSTICS:</b>	Class A, C, and D Absorber

\*Our Alpha panels have a Thickness Tolerance of ±1 mm and a Length & Width Tolerance of ±3 mm



## FINISHES

ZenVeil is made with high quality recycled PET panels. The selection has different colours that would compliment any interior space and concept. Please refer to the QR codes below:



**Finishes**  
Scan the code or visit  
[www.acousticscompany.com/finishes](http://www.acousticscompany.com/finishes)

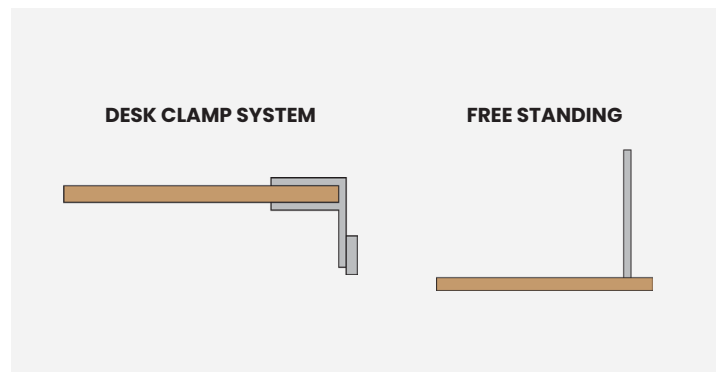


**Catalogue**  
Scan the code or visit  
<https://acousticpanels.co.uk/wp-content/uploads/2025/09/PRODUCT-BROCHURE-2025.pdf>

## INSTALLATION

The Acoustics Company cater for all project budgets and have multiple ways to install a product.

ZenVeil station screen can be installed using the following methods:



## DESIGN TIPS

**These are just some design tips you can do in order to maximize the full potential of our ZenVeil products:**

1. ZenVeil (Clamped) is good for large open spaces.
2. ZenVeil (Clamped) is best suited for single workstations.
3. Choose colour that compliments the interior of the room.
4. ZenVeil (Clamped) is most optimized when customised to cater a setup of 4 or 6 workstations
5. ZenVeil (Free-standing) is good for large open spaces.
6. ZenVeil (Free-standing) is best suited for single workstations.
7. Choose colour that compliments the interior of the room.
8. ZenVeil (Free-standing) is most optimized when customised to cater a setup of 4 or 6 workstations.

## ACOUSTIC PERFORMANCE

The acoustic performance of materials refers to their ability to absorb, reflect, or transmit sound waves. This concept is crucial in architecture, interior design, and engineering, as it determines how sound behaves in a space. Materials with good acoustic performance can reduce noise levels, improve speech intelligibility, and create more comfortable and functional environments by controlling reverberation and sound transmission.

### TESTING STANDARDS

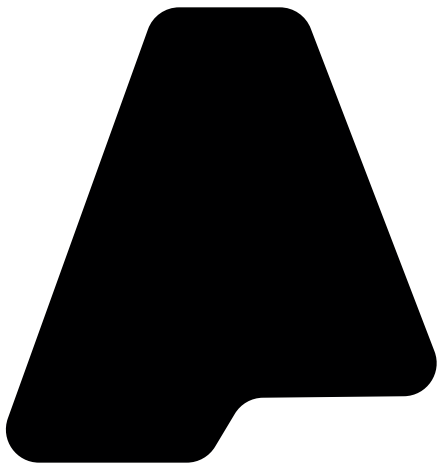
<b>ISO 354</b>	Measurement of sound absorption in a reverberation room
<b>ISO 11654</b>	Sound absorbers for use in buildings – Rating of sound absorption
<b>ASTM C423-17</b>	Standard Test Method for Sound Absorption and Sound Absorption Coefficients by the Reverberation Room Method
<b>ACOUSTICS:</b>	Sound absorbers for use in buildings – Rating of sound absorption

<b>ACOUSTICALLY TESTED</b>	<b><math>\alpha_w</math></b>	<b>NRC</b>	<b>CLASS</b>
12mm Direct Fix	0.35(H)	0.45	D
12mm + 75mm Airgap	0.75(MH)	0.85	C
24mm Direct Fix	0.50(MH)	0.65	D
24mm + 75mm Airgap	0.90	1.00	A

For  $\alpha_w$ , it is strongly recommended to use this single- number rating in combination with the complete sound absorption curve that can be obtained on request

<b>FREQUENCY (Hz)</b>	<b>125</b>	<b>250</b>	<b>500</b>	<b>1000</b>	<b>2000</b>	<b>4000</b>
12mm Direct Fix	0.00	0.10	0.30	0.55	0.80	1.00
12mm + 75mm Airgap	0.15	0.45	0.85	1.00	1.00	1.00
24mm Direct Fix	0.05	0.20	0.60	0.85	1.00	1.00
24mm + 75mm Airgap	0.25	0.60	1.00	1.00	1.00	1.00

*Note: The sound absorption values provided in this product sheet are subject to change without prior notice from The Acoustics Company. For the most current and accurate technical specifications, please contact our Sales Team directly.*



# THE ACOUSTICS COMPANY

